

# Bredel 25, and Bredel 32 hose pumps

# Bredel

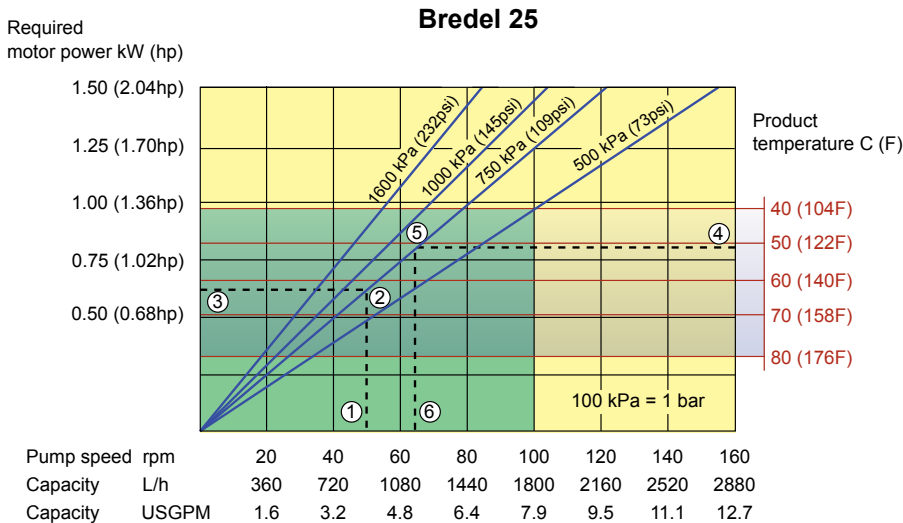
SERIES  
Bredel Hose Pumps

## FEATURES AND BENEFITS

- Sealless, valveless pumping principle for reliable, low maintenance metering, dosing and transfer
- Flow rates up to 5,250 L/hr (23.1 USGPM) and pressures up to 16bar (232 psi)
- Dry running and self-priming, with up to 9.5 meters (30 foot) suction lift capability
- Robust design for aggressive chemicals or abrasives
- Compact direct coupled design to maximise gearbox life
- Simple hose change decreases cost of ownership, downtime and need for parts inventory



## PERFORMANCE



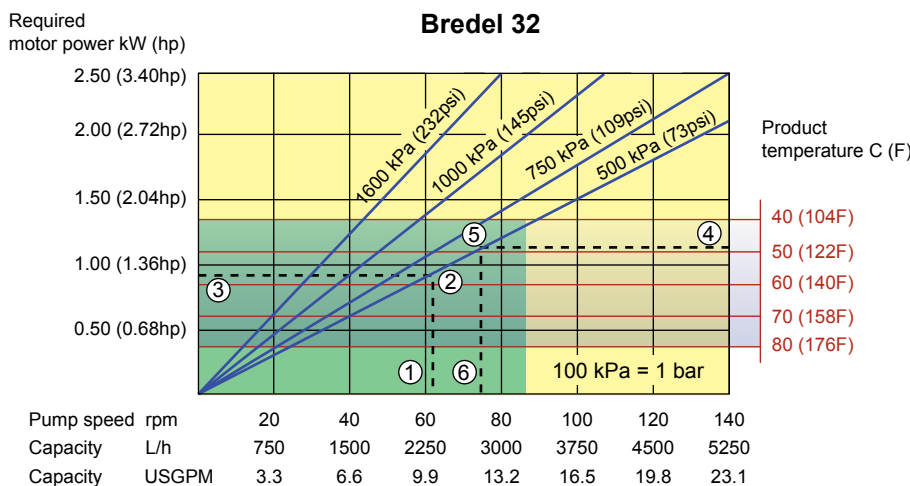
Continuous Duty  
Intermittent Duty\*

\* Maximum 2 hours operation followed by minimum 1 hour stop

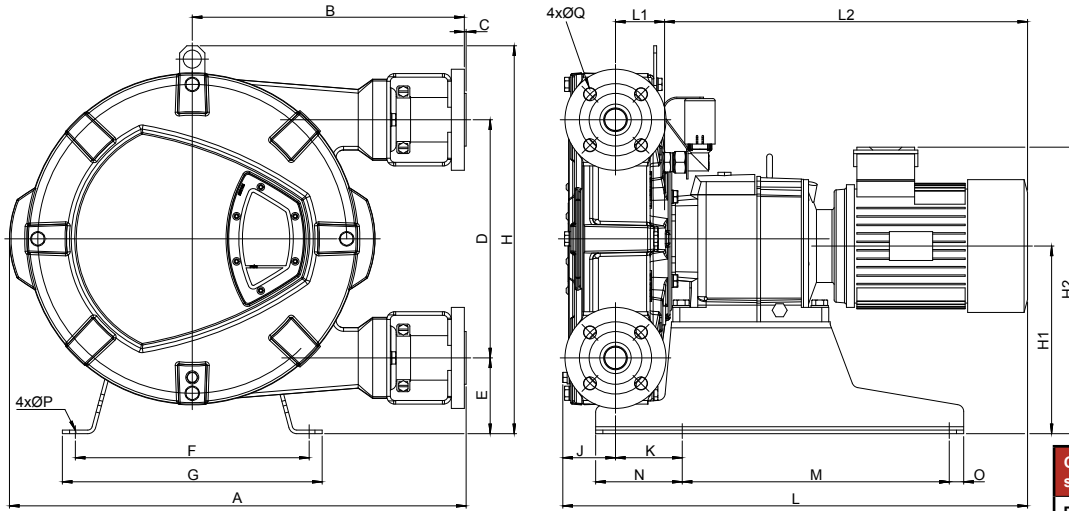
1. Flow required indicates pump speed
2. Calculated discharge pressure
3. Net motor power required
4. Product temperature
5. Calculated discharge pressure
6. Maximum recommended pump speed

Note: The area of continuous operation diminishes with increased product temperatures.

For product temperatures >40C (104F), the area of continuous operation is limited by the corresponding red temperature line.



## DIMENSIONS



Connector sizes	ANSI 150#	EN DIN	JIS
Bredel 25	1"	25mm	25mm
Bredel 32	1.5"	40mm	40mm

Type	A	B	C	D	E	F	G	H	H1	H2max	J	K	Lmax	L1	L2max	M	N	O	ØP	ØQ	R
Bredel 25 (mm)	521	304	2.5	264	98	279	315	460	222	359	66	97	592	58	468	305	120	15	12	14	85
Bredel 25 (inches)	20.5	12	0.09	10.4	3.9	11	12.4	18.1	8.7	14.1	2.6	3.8	23.3	2.3	18.4	12	4.7	0.6	0.47	0.6	3.3
Bredel 32 (mm)	631	375	2.5	330	105	324	360	538	260	402	72	93	684	68	544	370	120	20	12	18	100
Bredel 32 (inches)	24.8	14.8	0.09	13	4.1	12.8	14.2	21.2	10.2	15.8	2.8	3.7	26.9	2.7	21.4	14.6	4.7	0.79	0.47	0.71	3.94

## TECHNICAL SPECIFICATIONS

	Bredel 25	Bredel 32
Flow range	up to 2,880 L/hr (12.7 USGPM)	up to 5,250 L/hr (23.1 USGPM)
Capacity	0.300 L/rev (0.079 G/rev)	0.625 L/rev (0.165 G/rev)
Minimum starting torque	115Nm (1018 inch-lbs)	210Nm (1859 inch-lbs)
Hose lubricant required	2 litres (0.53 USG)	3.5 litres (0.92 USG)
Pumphead weight	39kg (85.98lbs)	58.5kg (128.97lbs)
Max inlet pressure	3.5 bar abs (51 psia)	3.0 bar abs (44 psia)
<b>Common features</b>		
Suction pressure	0.05bar abs (0.73 psia)	
Maximum discharge pressure	1600 kPa (16 bar) (232psi)	
Product temperature range*	-10C up to 80C (14F up to 176F)	
Ambient temperature range**	-20C up to 45C (-4F up to 113F)	

\*Please consult your Breedel representative for lower or higher temperature operation.

\*\*Allowable ambient temperature is based on pump capabilities and may be further limited by gearbox ambient capabilities

## MATERIALS OF CONSTRUCTION

Components	Materials
Pump housing	Cast iron
Rotor	Cast iron
Pressing shoes	Aluminium or epoxy
Cover	Cast iron
Brackets	Galvanized steel or AISI 316
Flanges	Galvanized steel or AISI 316
Inserts	AISI 316, PVC, PP, PVDF
Support frame	Galvanized steel or AISI 316
Hose clamps	Galvanized steel or AISI 316
Seals	Neoprene or nitrile

Options	Features
Available hose materials	NR, NR Endurance, NBR, F-NBR, EPDM, CSM
Available flanges	ANSI, EN DIN, JIS
Available inserts	Bredel standard or with sanitary connectors
High+low level float switch	Max. 2A, 230 V AC/DC, max. 40VA ATEX: max. 50 mA, max. 28V AC/DC
Integrated FI for stand alone speed control	Factory programmable from 12-80 Hz
Revolution counter	For maintenance and /or metering

The information contained in this document is believed to be correct at the time of publication, but Watson-Marlow Breedel BV accepts no liability for any error it contains, and reserves the right to alter specifications without prior notice. All mentioned values in this document are values under controlled circumstances at our test bed. Actual flow rates achieved may vary because of changes in temperature, viscosity, inlet and discharge pressures and/or system configuration. APEX, DuCoNite®, Bioprene® and Breedel are registered trademarks.

**Bredel**  
Hose Pumps

wmpg.com  
+44 (0)1326 370 370  
info@wmpg.com